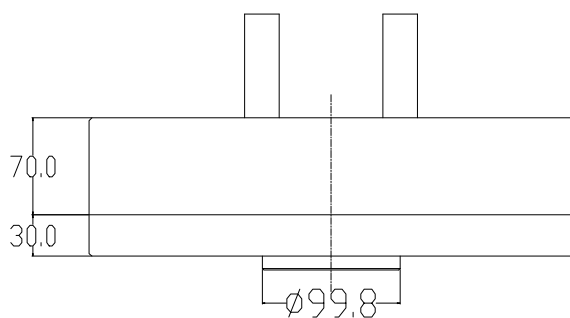
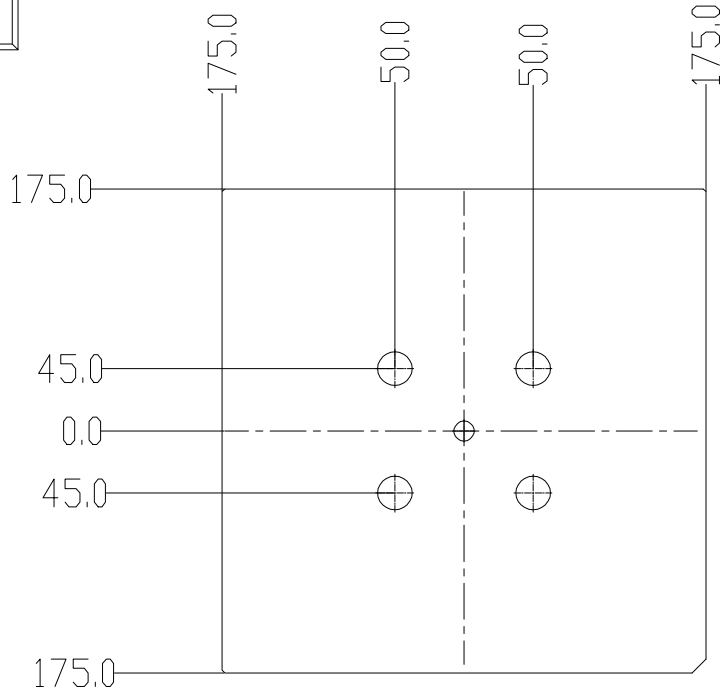


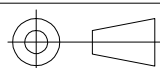
# 產品模具

REV.	ECN.	NO.	APPD.
------	------	-----	-------



1. 產品材料: PP301
2. 產品單重: 0.40g
3. 模腔穴數: 40
4. 射膠量: 28.8g, 安全值32g
5. 定位環直徑: 99.8MM
6. 灌嘴半徑: R21.0MM
7. 注意流道拋光

X.±0.2	X.*±0.2°	UNITS: MM	NAME(INTENDED USE)	<b>FOXCONN</b> FU JIN PRECISION INDUSTRY (JIN CHENG) CO.,LTD TITLE: DWG NO.:
.X±0.1	.X*±0.1°	MAT'L	PART NO.(INTENDED USE)	
.XX±0.01	.XX*±0.05°		APPD:	
.XXX±0.005	.XXX*±0.01°	FINISH:	CHKD:	
THESE DRAWINGS AND SPECIFICATIONS ARE THE PROPERTY OF FU JIN PRECISION TOOLING (JIN CHENG) CO.,LTD. AND SHALL NOT BE REPRODUCED, COPIED OR USED IN ANY MANNER WITHOUT THE PRIOR WRITTEN CONSENT OF FU JIN PRECISION TOOLING (JIN CHENG) CO.,LTD.		Q'TY	DR:	



SCALE	SHEET	REV.
1:1	1/1	A